



CLEAN INDIA

Mfrs. of Cleaning Automation Products

GREEN INDIA



An ISO 9001 - 2015 Certified Company

**AIR KNIFE**





## Air Knife

An air knife is a pneumatic air tool used to blow off liquid or debris from products. Cleantek design and manufacturing various ranges of airknife with high pressure blowers suitable for drying and water and dust blowoff applications. Air knife used for drying water Particles from Bottle, Pouch, package, glass parts etc.

### Working Principle:

High Volume with medium pressure of blower air passed through the two metal blades in Laminar airflow pattern. It will create the high impact air velocity of the surface of the products. Some place anti-static bars are used to neutralize the static electricity of the dust.

**CLEANTEK** manufacturing two kind of Systems.

1. Compressor air Powered Air knife
2. Electric Blower Powered Air knife



# MODELS



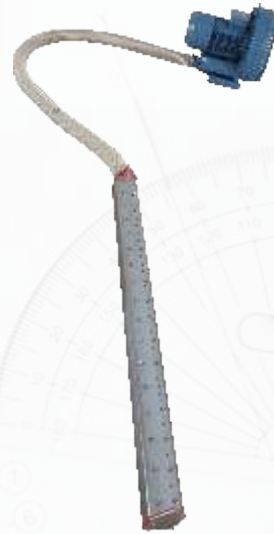
**Blower Air knife**



**Compressor air knife**



**750mm Air knife**



**1000mm Air Knife With Ring Blower**



**250mm Air knife**



**Trolley mounted with air knife**

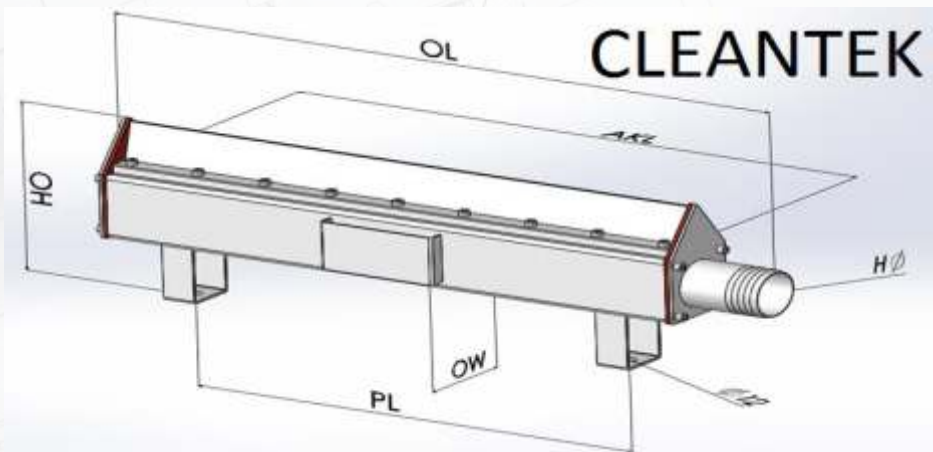
## FEATURES:

- Stainless Steel & Powder Coated Version Construction
- Uniform and Steady Airflow and constant Pressure
- Air gap slots can be adjusted as per your requirements
- Maintenance Free & Safe to use
- Bottle Cleaning
- Drying or blow-off,
- Debris blow-off/static control, coating control

## APPLICATIONS:

- Bottle air Drying system
- Moisture Drying from Metal Parts
- Beverages Cans and Jars Drying
- Bottling Plant Parts Drying
- Parts Cooling
- Printed Circuit Board Drying
- Water Spray Drying
- Moisture Drying
- Parts Cooling

## DIMENSIONAL VIEW



S NO	DIMENSION DESCRIPTION	AK 1500	AK 1300	AK 1250	AK 1000	AK 950	AK 900	AK 850	AK 800	AK 750	AK 700	AK 650	AK 600	AK 550	AK 500	AK 450	AK 400	AK 300	AK 250	AK 200
	OL - Overall Length	1588	1388	1338	1088	1038	988	938	888	838	788	738	688	638	588	538	488	388	338	288
	OH - Overall Height	215	215	215	215	215	215	215	215	215	215	215	215	215	215	215	215	215	215	215
	OW - Overall Width	95	95	95	95	95	95	95	95	95	95	95	95	95	95	95	95	95	95	95
	AKL - Air Knife Length	1500	1300	1250	1000	950	900	850	800	750	700	650	600	550	500	450	400	300	250	200
	HØ - Hose Dia	75	75	75	75	75	75	75	75	75	75	60	60	60	60	60	60	60	60	60
	PL - Pitch Length	1370	1170	1120	870	820	770	720	670	620	570	520	470	420	370	320	270	170	120	70

All Dimensions are in mm



# APPLICATION





# OUR OTHER PRODUCTS



**Three Phase Industrial Vacuum Cleaner**



**Axial Fan Blower**



**Centralized Vacuum Cleaner**



**Wet And Dry Vacuum Cleaner**



**CNC Oil Mist Collector**



**Dust collector**



**Hopper Loaders**



**Hot air Blower**



**Oil Sump Cleaner**



**Paint Booth**



**Centrifugal Blower**



**Welding Fume Extractor**



**Three phase dry Vacuum Cleaner**



**Wood dust collector**



**Trim Suction Unit**



**Wood Dust Collector**



## Government of India Ministry of Finance

**CERTIFICATE  
OF APPRECIATION**

The Central Board of Indirect Taxes and Customs conveys its appreciation to M/s **CLEANTEK** having GST registration number **33AMCPB0547M1ZD** for their prompt filing of returns and payment of Goods and Services Tax upto the year ending 31<sup>st</sup> March 2021, thereby substantially contributing to building a strong and resilient nation.

**M. Ajit Kumar**  
Chairman (CBIC)

Sl.No.	DESCRIPTION	CLEANTEK
1	Date Of Registration of Establishment	07 – 09 - 2006
2	Founder & Chief Executive	A. Krishnamoorthy
3	Experience In this Field	25 Years
4	Date Of Registration of Establishment	Own Building   Own R & D   Own Manufacturing Facility Assembly & Testing Facility   New Developments Support Sales & marketing   Installation & Service Support Team
5	Number Of Employees	50+
6	Installation	Satisfied clients 10,000 +
7	Head Quarters	Coimbatore
8	Certification	An ISO 9001-2015
9	Quality	Organized & Quality Management System
10	Branches	Chennai , Bengaluru, Coimbatore
11	Membership	CODISSIA, SIEMA, ICCI, BIEOA
12	Registered in Govt	ESI, EPF, NSIC
13	Trade mark	Registered
14	Industry	MSME



# THANKS FOR OUR VALUABLE CUSTOMERS

**DRESSER-RAND**  
A Siemens Business



**FLOWSERVE**

**MAHLE**



**Craftsman**  
AUTOSERVICETORY

**ELGI**  
Always Better.

**MRF**



**Kanam**  
KANAM LATES INDUSTRIES PVT LTD



WHEELS INDIA LIMITED

**KYB**  
Our Precision. Your Advantage



Bros India Private Limited

**Hanon**  
SYSTEMS

**MITSUBA**  
MITSUBA SICAL India Private Limited



**Rane**  
Expanding Horizons



**Astrotech Steels**  
Private Limited

**DOOWON**

**L&T Valves**

**JK Fenner**

**BOSCH**

**EVEREST**



**ROYAL ENFIELD**

**TEAL**

Shobikaa  
DuraNet



**TITAN**



**JANATICS**  
Pneumatic



**COMSTAR** **PLAST**

**IDEX**

**KOHLER**

**WOOSU** INDIA



**PREMIER**  
eXOLICS

**BONFIGLIOLI**  
Power & Control Solutions

**Suprajit**

More than 6000+  
customers all over India & Abroad





CLICK HERE FOR OUR  
FACEBOOK PAGE



[www.cleantekindia.com](http://www.cleantekindia.com)



CLICK HERE FOR OUR  
DEMO VIDEOS



+91 9500266693

+91 9994352001 | +91 9894214994



0422-2984994



[sales@cleantekindia.com](mailto:sales@cleantekindia.com) | [krishna@cleantekindia.com](mailto:krishna@cleantekindia.com)



## COIMBATORE

Head Office

# 479/4, Site No.22 & 23,  
Balaji Industrial Estate,  
Kondagampalayam Main Road,  
Keeranatham, Saravanampatti Po,  
Coimbatore - 641 035,  
Tamil Nadu, India.



## BANGALORE

Branch Office

C-13, 3rd Floor,  
Resident No: 251, Malur Ramaiah  
Compound, Jaibheema Nagar,  
1st Cross, BTM Layout,  
1st Stage Old Madiwala,  
Bangalore-560 068, India



## CHENNAI

Branch Office

4th Main Rd, Moovendar Nagar,  
Bharathi Nagar, Tambaram,  
Chennai,  
Tamil Nadu-600063, India